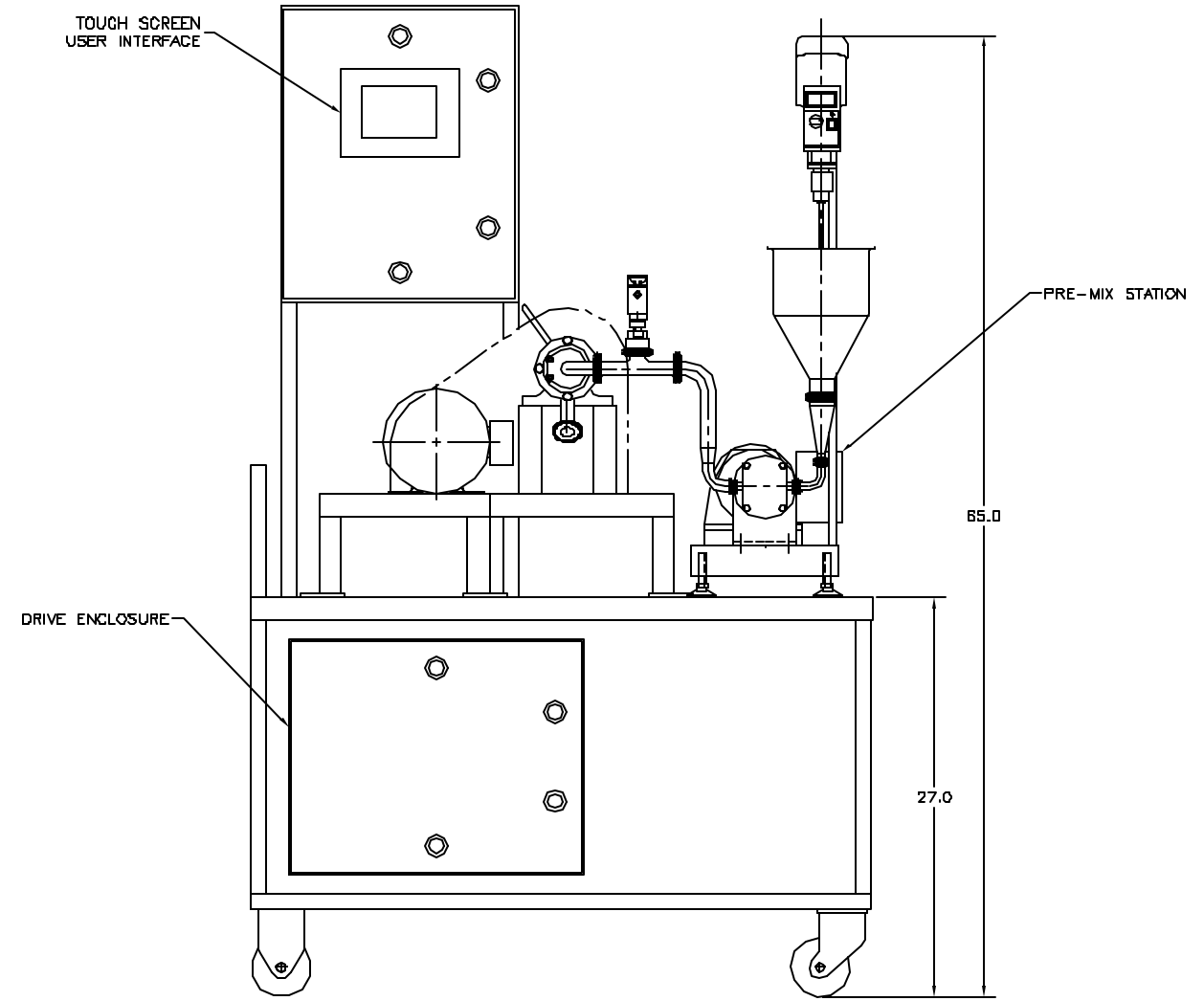
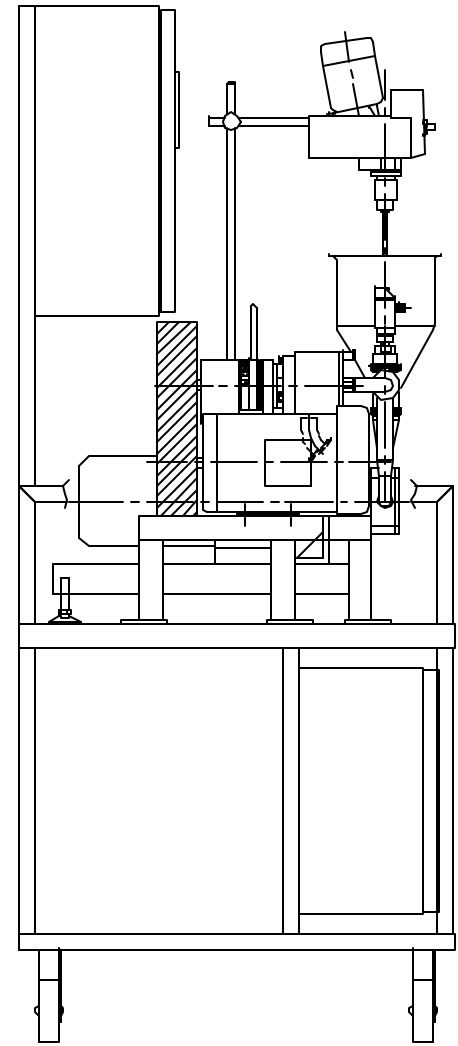
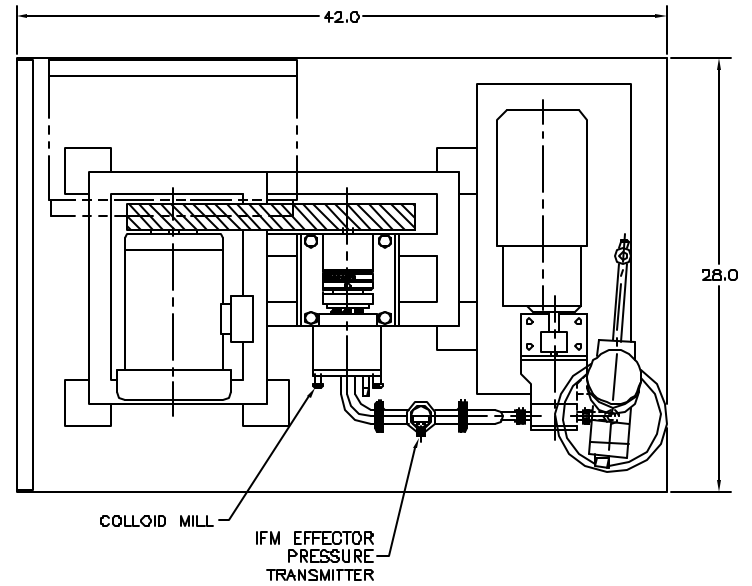


REVISIONS			
REV	DESCRIPTION	BY	DATE
A	INITIAL REVISION		
B	ADDED PRESSURE TRANSMITTER AND TEE	RC	10/8/03
C	ADDED ENCLOSURES AND TOUCH SCREEN	RC	10/16/03



NOTES:

PROPRIETARY INFORMATION: THIS MATERIAL AND THE CONTENTS THEREOF ARE CONSIDERED THE PROPERTY OF SONIC CORPORATION AND THE DISCLOSURE TO UNAUTHORIZED PERSONS OR ORGANIZATIONS, PUBLICATION OR COPIING HEREIN IS PROHIBITED WITHOUT PRIOR WRITTEN CONSENT BY SONIC CORP., STURBRIDGE, CONNECTICUT.

ACCOMPANYING DOCUMENTS, COMMENTS, VENDOR NOTES	UNLESS OTHERWISE SPECIFIED DIMENSIONS ARE IN INCHES	1 Research Drive, Storford, CT 06215 203-375-0043 FAX 203-378-4778	
TOLERANCES	DECIMALS .XX ±	TITLE	
	XXX ±	2.5 COLLOID MILL AND PREMIX CART	
	ANGLES XXX ±	JOB 1887	
MATERIAL:	REV R, DZK B/29/03	DRAWING NUMBER	REV
FINISH:	END	1887	C
HEAT TREAT:	APP	SCALE 0:10 [DO NOT SCALE DRAWING]	SHEET 1 of 1
		DWG NUMBER Job Profile 1887\1887-A-01-C.dwg	