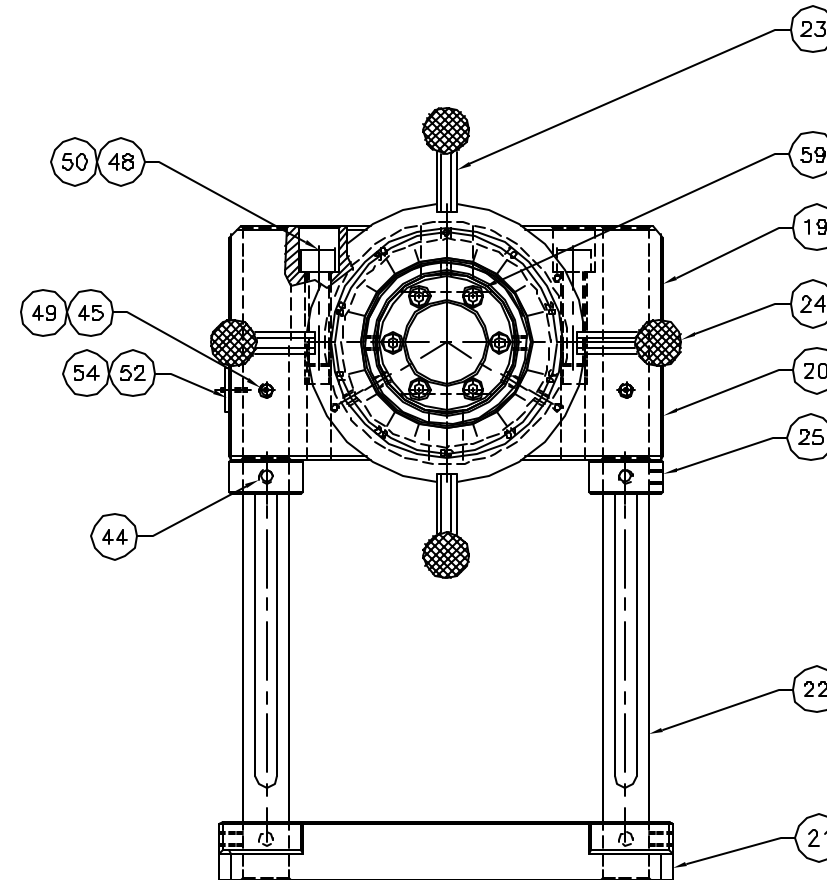
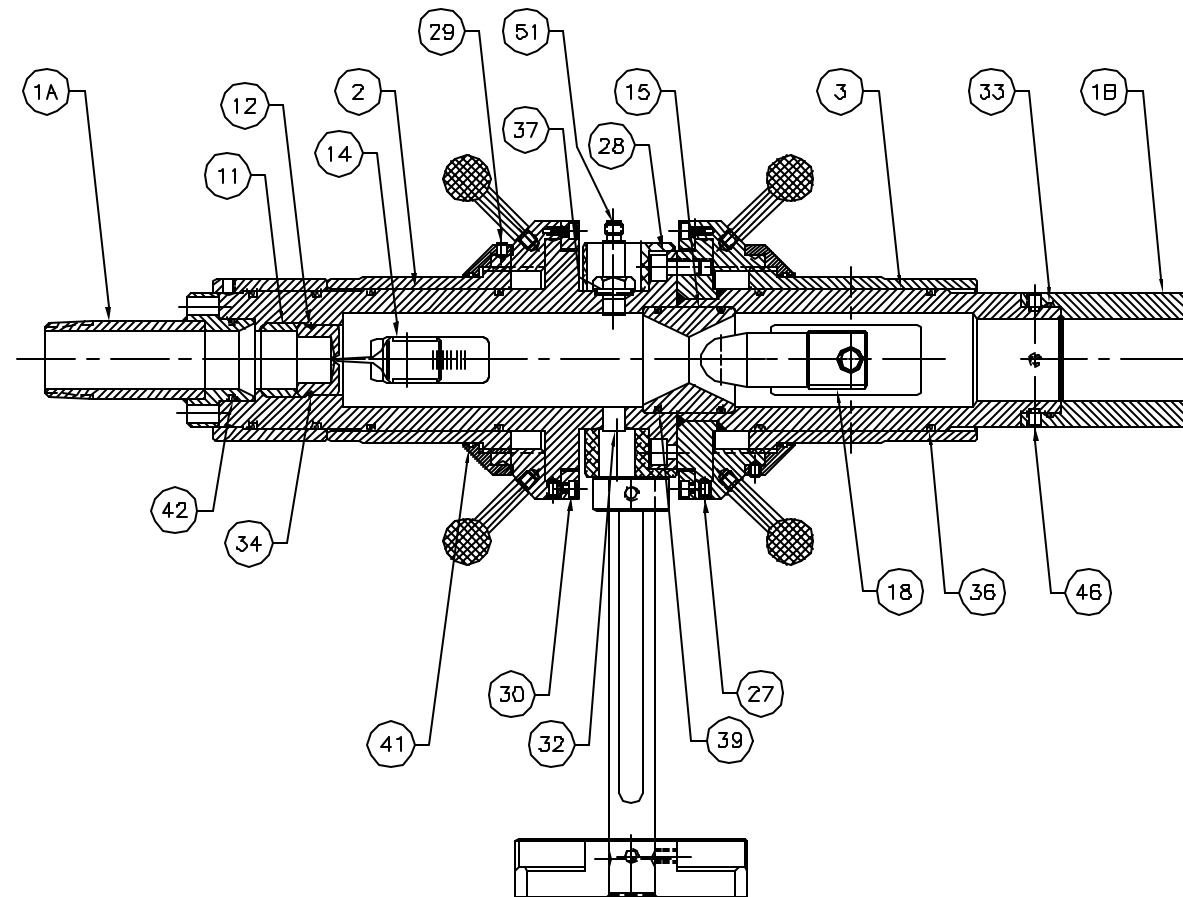
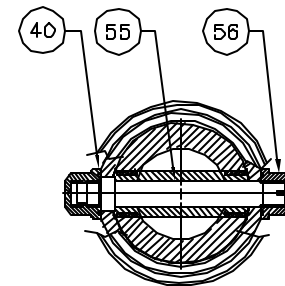
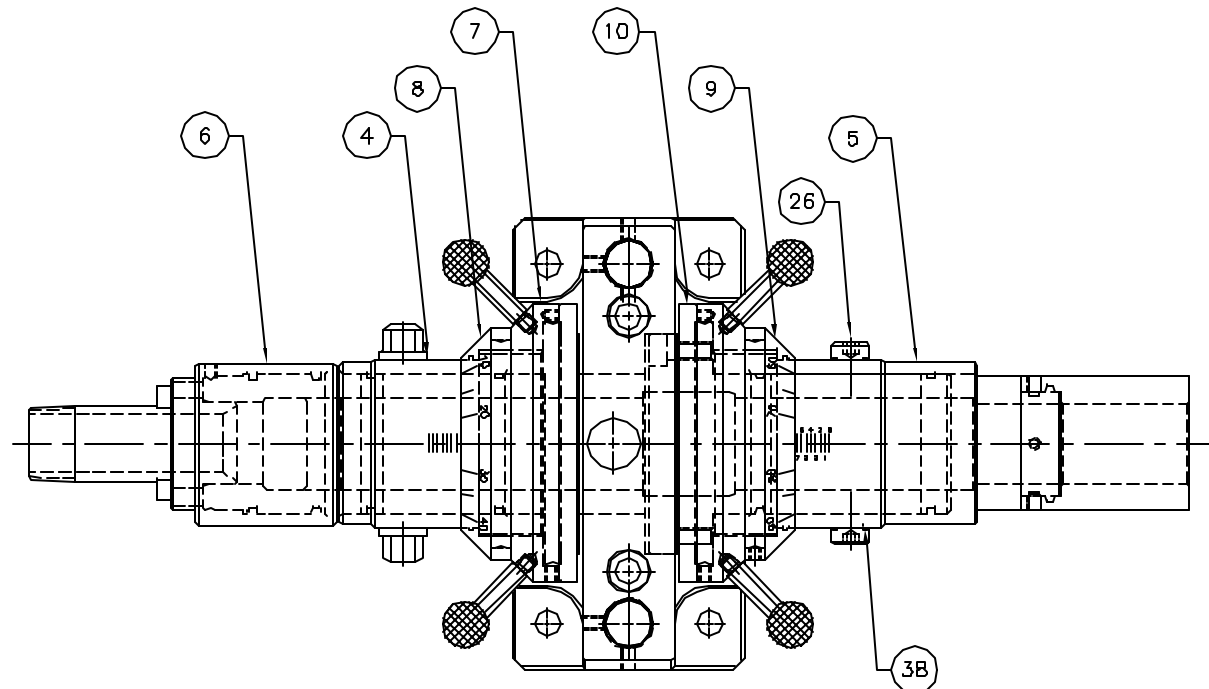


REVISIONS

REV	DESCRIPTION	BY	DATE
-----	-------------	----	------



NUM	REV	PART NUM	DESCRIPTION	MAT'L
1A	1	XS1081	INLET TO BE DETERMINED	316 S.S.
1B	1	XS1082	OUTLET TO BE DETERMINED	316 S.S.
2	1	XS16020	DRIFICE & BLADE HSG. HP.	316 S.S.
3	1	XS1003D	TUNING VALVE HSG.	316 S.S.
4	1	XS1502C	BLADE SLEEVE DETAIL 3.97 LG.	316 S.S.
5	1	XS1005C	TUNING VALVE SLEEVE	316 S.S.
6	1	XS1006C	DRIFICE SLEEVE 2.44 LG.	316 S.S.
7	2	XS1007C	INDEXING RING	WALKESHA HUB
8	1	XS1008C	BLADE CALIBRATOR	303 S.S.
9	1	XS1009C	TUNING VALVE CALIBRATOR	303 S.S.
10	2	XS1010C	INDEXING RING RETAINER	WALKESHA HUB
11	1	XS1604B	DRIFICE BACK UP BLOCK	316 S.S.
12	1	XS1603B	ONE PIECE HIGH PRESSURE DRIFICE	316 S.S.
14	1	XS1506C	ONE PIECE BLADE	STELLITE 6-B
15	1	XS1016B	TUNING VALVE SEAT	316 S.S.
18	1	XS1019C	TUNING VALVE BODY (REPLACEMENT)	316 S.S.
19	1	XS1020C	SONOLATOR SUPPORT (TOP)	#2024 ALUM.
20	1	XS1021C	SONOLATOR SUPPORT (BOTTOM)	#2024 ALUM.
21	1	XS1022C	SUPPORT BASE	#2024 ALUM.
22	2	XS1023C	SUPPORT COLUMN	303 S.S.
23	8	XS1024B	INDEXING RING HANDLE	304 S.S.
24	8	-	BALL HANDLE 1.00" DIA.	COMM.
25	2	XS1026B	COLLAR DETAIL	303 S.S.
26	2	XS1027B	1/2 SHOULDER SCREW DETAIL	316 S.S.
27	4	ST1005	SHSS DV. PT. 1/4-20 X 3/8	COMM.
28	4	ST1022	SHCS 3/8-16 X 3/4	COMM.
29	9	ST1004	SHSS DV. PT. 1/4-20 X 5/16	COMM.
30	12	ST1003	SHCS #10-24 X 3/8	COMM.
32	1	ST3001	1/4" NPT PIPE PLUG	COMM.
33	2	SL1023	O-RING #2-228	VITON
34	1	SL1017	O-RING #2-136	VITON
36	6	SL1026	O-RING #2-232	VITON
37	1	SL1002	O-RING #2-014	VITON
38	2	SL1003	O-RING #2-015	VITON
39	2	SL1018	O-RING #2-137	VITON
40	2	SL1006	O-RING #2-018	VITON
41	2	SL1013	O-RING #2-044	VITON
42	3	SL1021	O-RING #2-222	VITON
44	2	ST1013	SHSS DV. PT. 5/16-18 X 3/8	COMM.
45	6	ST1014	SHSS DV. PT. 5/16-18 X 1/2	COMM.
46	4	ST1016	SHSS 1/2 DOG 5/16-18 X 3/8	COMM.
48	2	ST1026	SHCS 1/2-13 X 2"	COMM.
49	2	ST1020	HELICOIL INSERT #1185-5CN-D469	COMM.
50	2	ST1029	HELICOIL INSERT #1185-5CN-D750	COMM.
51	1	IN1010A	PROBE PV-5	316 S.S.
52	1	XS1053B	NAME PLATE DETAIL	ALUM.
54	2	ST1031	SCREW DRIVE U TYPE #2-1/4	COMM.
55	1	XS2007B	BLADE BOLT	ARMCO #17-4PH
56	2	XS2008B	BLADE HOLDING NUT	WALKESHA #23
59	6	ST1046	SHCS 5/16-18 X 1-1/4"	COMM.

ACCOMPANYING DOCUMENTS: COMMENTS, VENDOR NOTES	UNLESS OTHERWISE SPECIFIED DIMENSIONS ARE IN INCHES	Sonic 1 Research Drive, Shelton, CT 06415 203-375-0063 FAX 203-378-4078
TOLERANCES: DECIMALS .XX ± XXX ± ANGLES ±	MATERIAL: DIN & BERGACE 7/30/97 DIP R. BRAKEMAN	TITLE MODEL XS SONOLATOR HIGH PRESSURE ASSEMBLY DRAWING
FINISH: HEAT TREAT:	DRAWING NUMBER XS-1605 SCALE 0.50 [DO NOT SCALE DRAWING SHEET 1 OF 1] OPD NUMBER \Sst Parts\Sonolator\XS-1605-A-01-5.dwg	REV C

NOTES:

PROPRIETARY INFORMATION: THIS MATERIAL AND THE CONTENTS THEREOF ARE
CONSIDERED THE PROPERTY OF SONIC CORPORATION AND THE DISCLOSURE
OR UNAUTHORIZED REPRODUCTION OR DISTRIBUTION, PUBLICATION OR COPIING
HEREOF IS PROHIBITED WITHOUT PRIOR WRITTEN CONSENT BY SONIC CORP.,
STURROCK, CONNECTICUT.