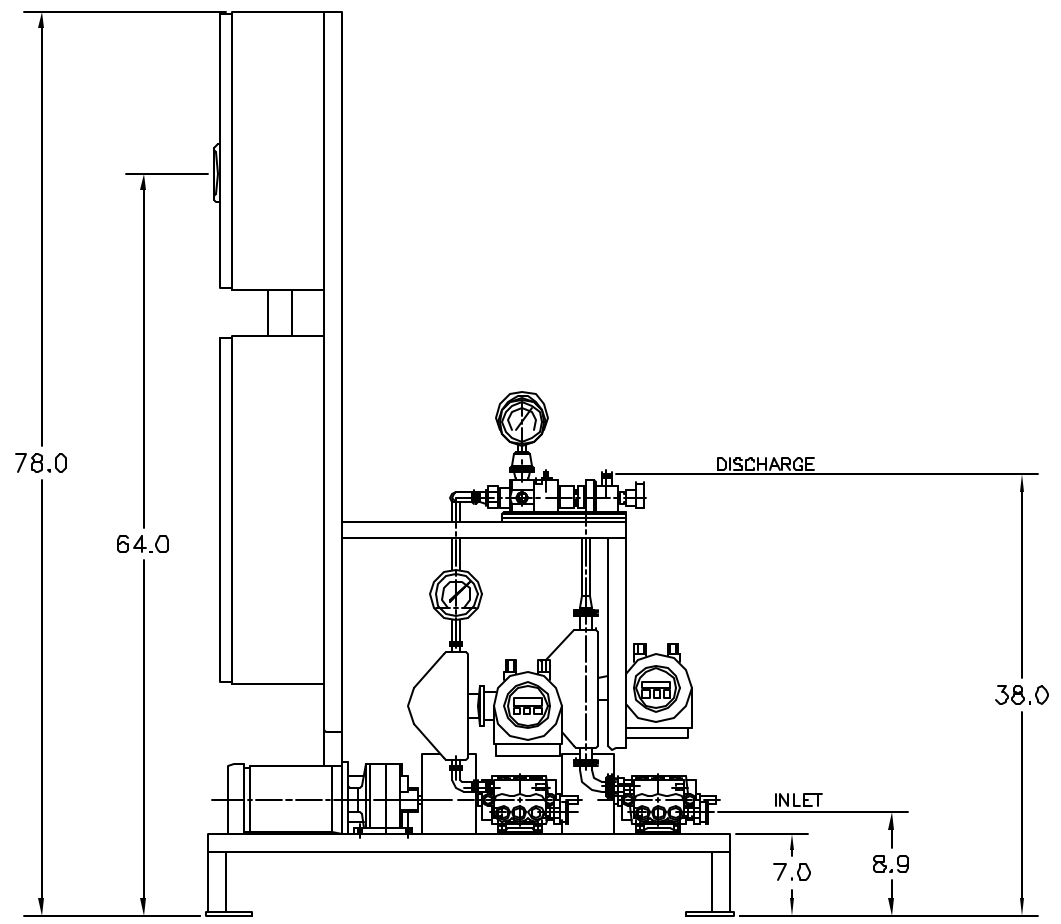
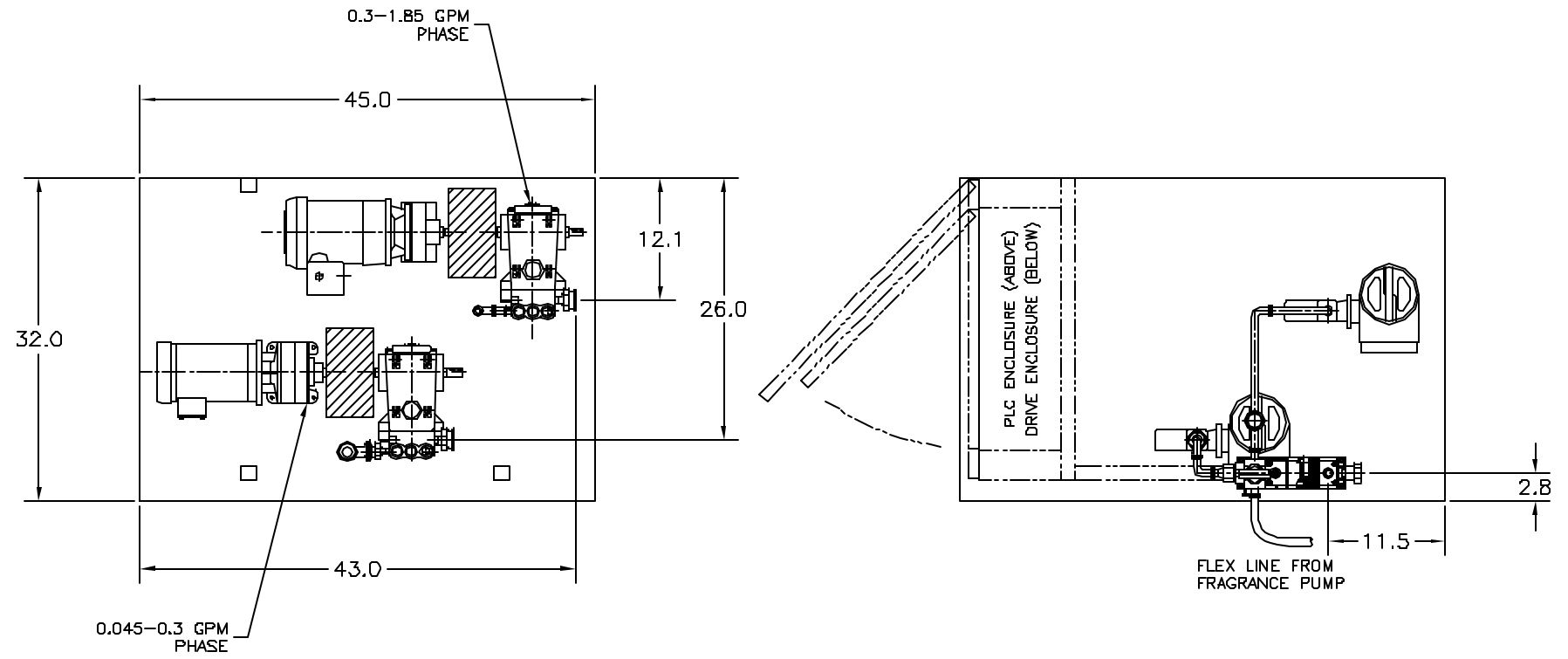


REVISIONS			
REV	DESCRIPTION	BY	DATE
A	INITIAL REVISION		



NOTES:

PROPRIETARY INFORMATION: THIS MATERIAL AND THE CONTENTS THEREOF ARE CONSIDERED THE PROPERTY OF SONIC CORPORATION AND THE DISCLOSURE TO UNAUTHORIZED PERSONS OR DISTRIBUTION, PUBLICATION OR COPIING HEREIN IS PROHIBITED WITHOUT PRIOR WRITTEN CONSENT BY SONIC CORP., STRATFORD, CONNECTICUT.

ACCOMPANYING DOCUMENTS, COMMENTS, VENDOR NOTES	UNLESS OTHERWISE SPECIFIED DIMENSIONS ARE IN INCHES	1 Research Drive, Stratford, CT 06415 203-375-0063 FAX 203-378-4078	
	TOLERANCES DECIMALS .XX ± .XXX ± .XXX ± ANGLES ° ±	TITLE DUAL FEED SONOLATOR 1000-2 JOB 1914	
MATERIAL:	DRY R. C/2K	B/27/DH	DRAWING NUMBER 1914-V3
FINISH:	END		SCALE 0.13 [DO NOT SCALE DRAWING] SHEET 1 of 1 REV A
HEAT TREAT:	ANN		QPD NUMBER \Job Profile\1914\1914-A-03-Adip