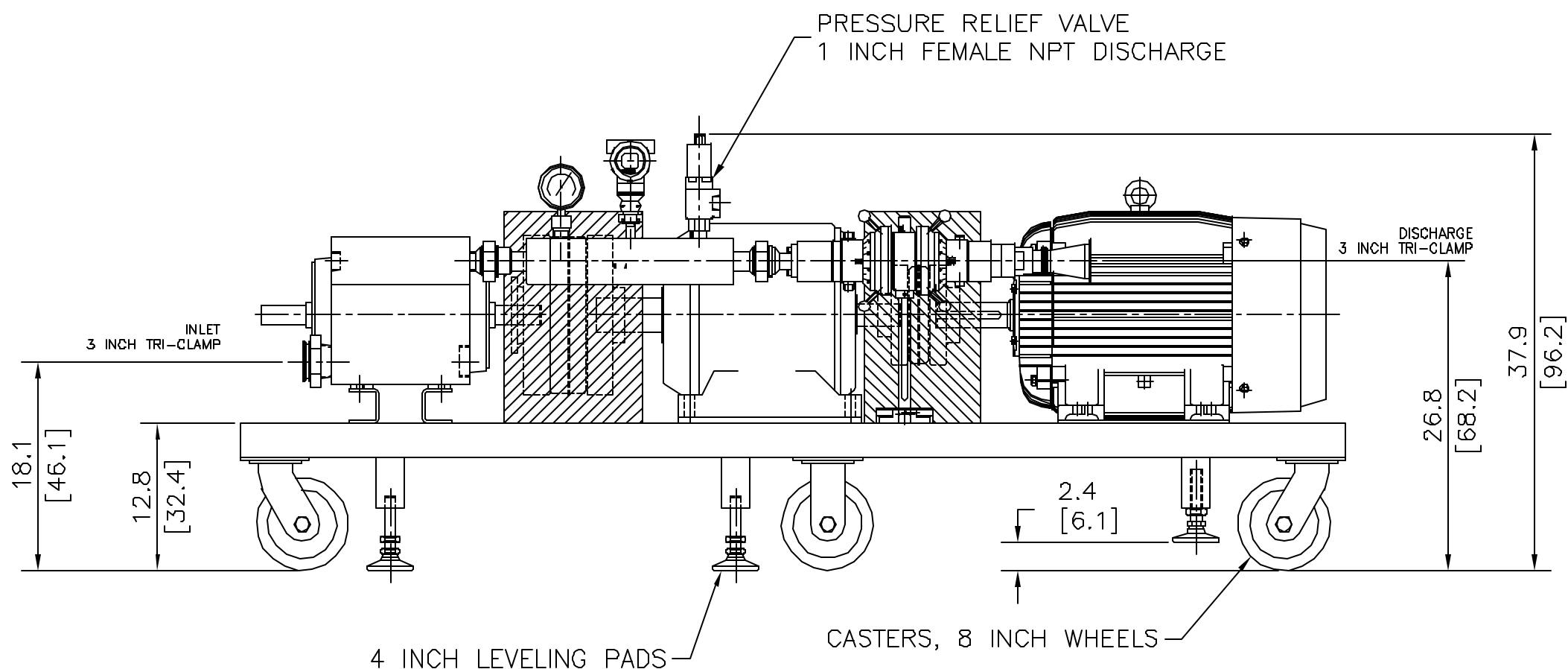
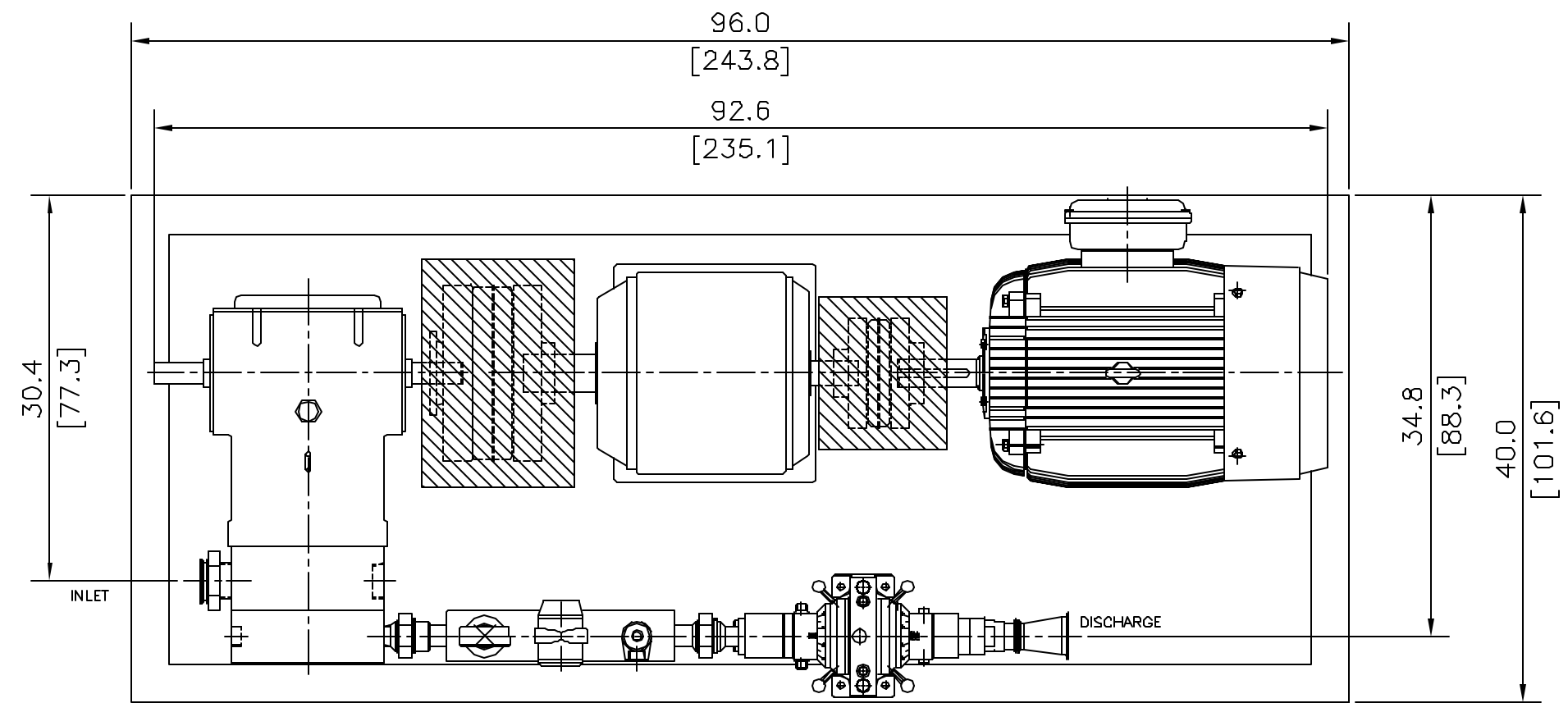


REVISIONS			
REV	DESCRIPTION	BY	DATE
A	INITIAL REVISION		
B	MIRRORED SKID, ADDED PRV DISCHARGE FITTING	RC	3/9/05
C	ADDED LEVELING PADS, PRV WAS CPV, CASTERS WERE 4"	RC	3/23/05
D	ADDED CENTER CASTERS PER CUSTOMER REQUEST	RC	3/31/05



1. ALL DIMENSIONS ARE IN INCH [CENTIMETERS].
 NOTES:

PROPRIETARY INFORMATION: THIS MATERIAL AND THE CONTENTS THEREOF ARE
 CONSIDERED THE PROPERTY OF SONIC CORPORATION AND THE DISCLOSURE
 TO UNAUTHORIZED PERSONS OR DISSEMINATION, PUBLICATION OR COPIING
 HEREIN IS PROHIBITED WITHOUT PRIOR WRITTEN CONSENT BY SONIC CORP.,
 STRATFORD, CONNECTICUT.

ACCOMPANYING DOCUMENTS: COMMENTS, VENDOR NOTES	UNLESS OTHERWISE SPECIFIED DIMENSIONS ARE IN INCHES	1 Research Drive, Stratford, CT 06415 203-375-0043 FAX 203-378-4078	
TOLERANCES	DECIMALS .XX ±	TITLE	
	FRACTIONS XX/100 ±	PRODUCTION SONOLATOR, 1800-45	
	ANGLES ±	JOB 1922, MUMBAI, INDIA	
MATERIAL:	DATE: 2/18/05	DRAWING NUMBER	REV
FINISH:	SCALE: 0:17	1922	D
HEAT TREAT:	DO NOT SCALE DRAWING	SHEET 1 of 1	
	OPD NUMBER: \\job-Profiles\1922\1922-A-01-Prod		