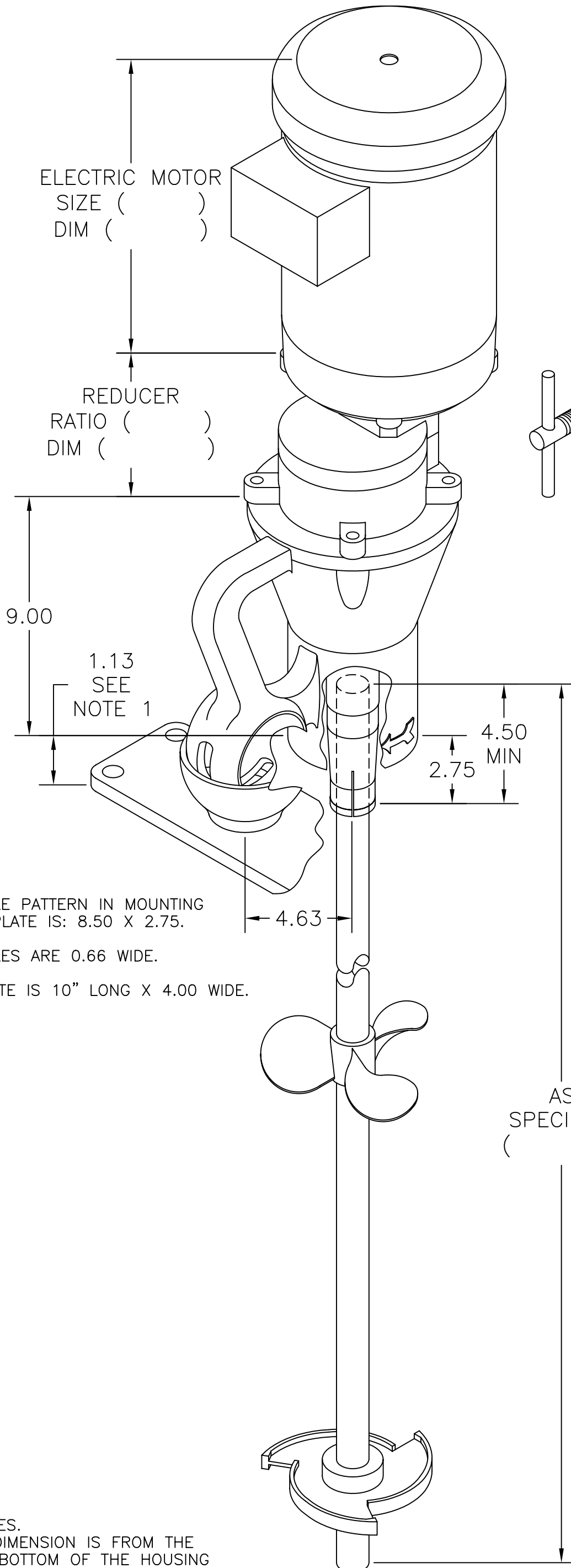
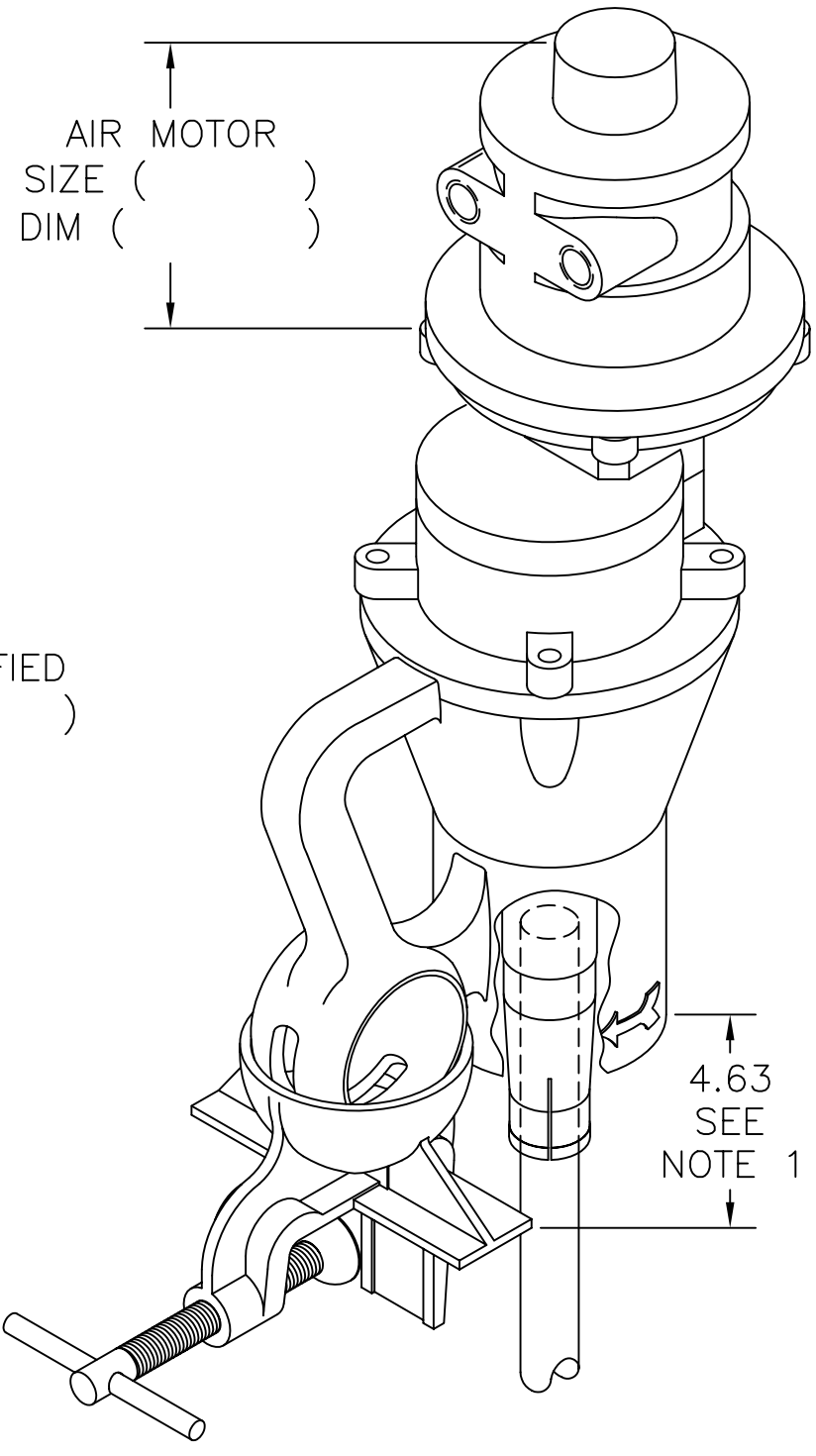
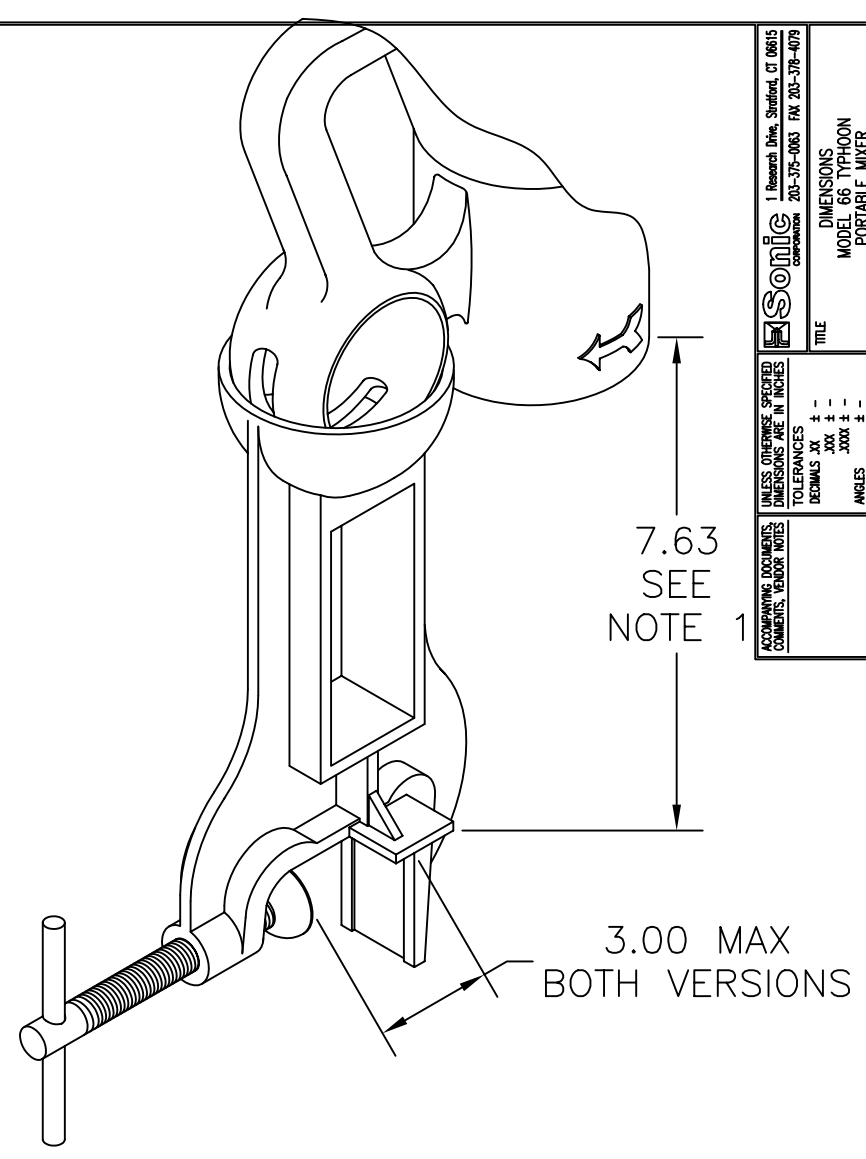


REVISIONS	
REV	DESCRIPTION
A	INITIAL REVISION



HOLE PATTERN IN MOUNTING PLATE IS: 8.50 X 2.75.
HOLES ARE 0.66 WIDE.
PLATE IS 10" LONG X 4.00 WIDE.

NOTES.
1. DIMENSION IS FROM THE BOTTOM OF THE HOUSING TO THE MOUNTING SURFACE



UNLESS OTHERWISE SPECIFIED DIMENSIONS ARE IN INCHES	
TOLERANCES	± .001
DECIMALS .XX	± .005
XXX	± .010
ANGLES	± .5
DWG. R. CDZK	5/1/00
DWG. NO.	66-A-1
DWG. DATE	10/1/00
SCALE	1:1
MATERIAL	SEE PART SPECIFICATIONS
FINISH	SEE PART SPECIFICATIONS
HEAT TREAT	SEE PART SPECIFICATIONS

PROPERTY INFORMATION: THIS MATERIAL AND THE CONTENTS THEREOF ARE THE PROPERTY OF SONIC CORPORATION AND THE DESIGNING THEREOF IS PROTECTED WITHOUT PRIOR WRITTEN CONSENT BY SONIC CORP., SHREVEPORT, LOUISIANA.

SONIC CORPORATION 1 Research Drive, Shelton, CT 06484 203-375-0003 FAX 203-378-4079	
TITLE: MODEL 66 TYPHOON PORTABLE MIXER	
DIMENSIONS: 66-A-1	
DRAWING NUMBER: 66-A-1	
REV: A	
DO NOT SCALE DRAWING SHEET 1 of 1	
CAD NUMBER: ES6 Part/Mater/Typhoon/66/00/00-00-01-0001	

NOTES: