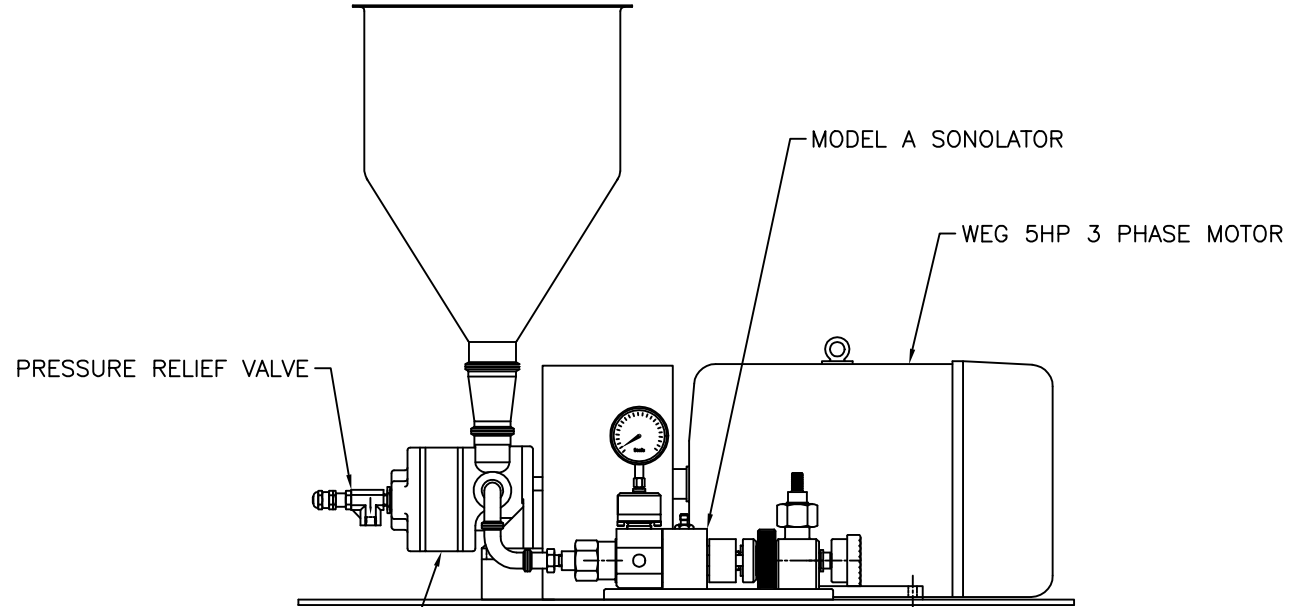
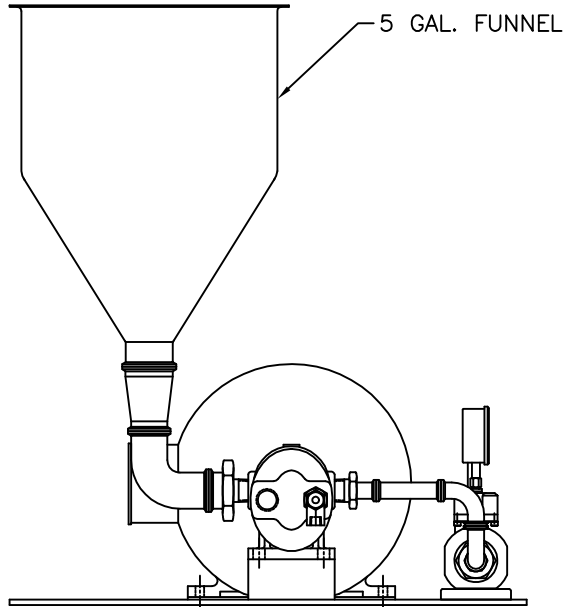
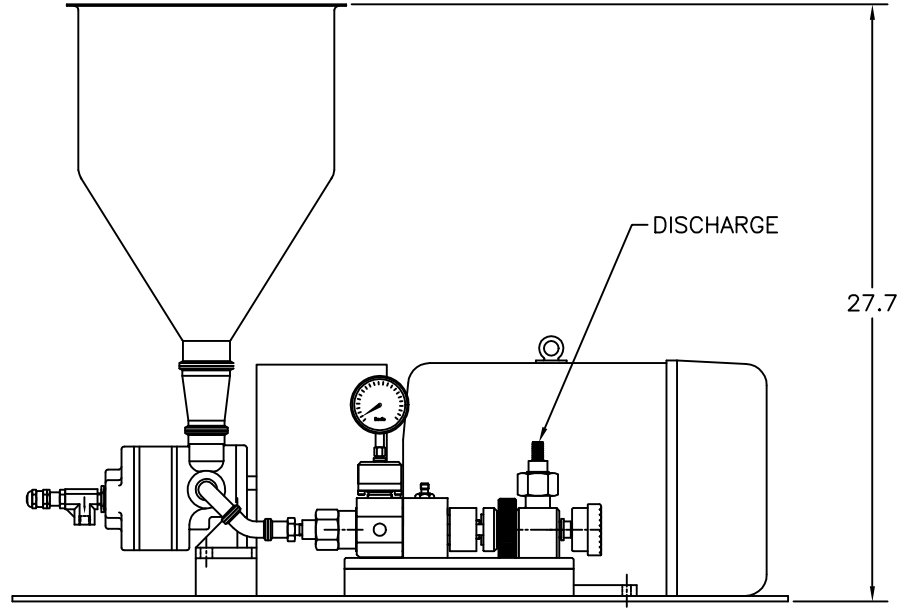
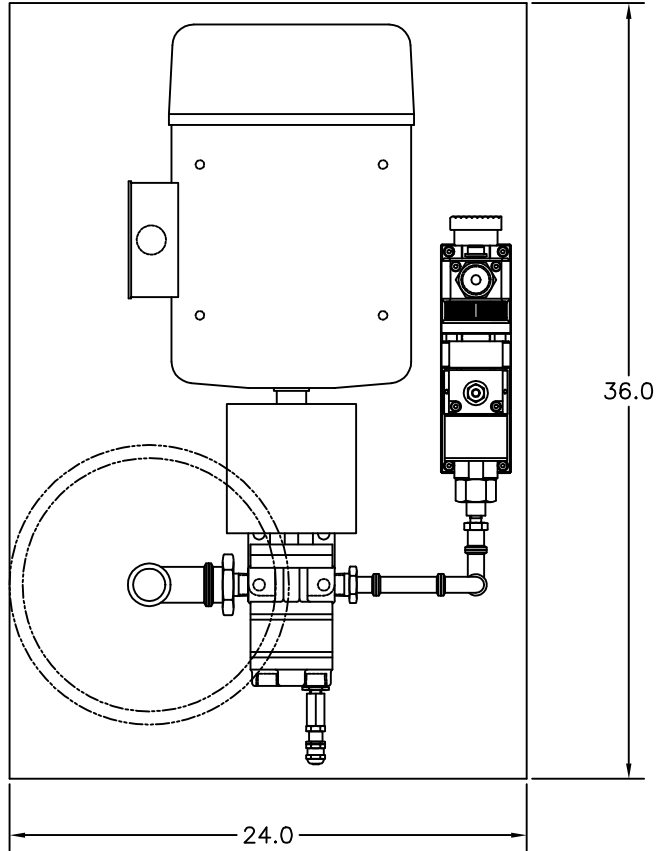


REVISIONS			
REV	DESCRIPTION	BY	DATE
A	INITIAL REVISION		



NOTES:

PROPRIETARY INFORMATION: THIS MATERIAL AND THE CONTENTS THEREOF ARE CONSIDERED THE PROPERTY OF SONIC CORPORATION AND THE DISCLOSURE TO UNAUTHORIZED INDIVIDUALS OR DISSEMINATION, PUBLICATION, OR COPYING THEREOF IS PROHIBITED WITHOUT PRIOR WRITTEN CONSENT BY SONIC CORP., STRATFORD, CONNECTICUT.

ACCOMPANYING DOCUMENTS, COMMENTS, VENDOR NOTES	UNLESS OTHERWISE SPECIFIED DIMENSIONS ARE IN INCHES		1 Research Drive, Stratford, CT 06615 CORPORATION 203-375-0063 FAX 203-378-4079	
	TOLERANCES DECIMALS .XX ± .XXX ± .XXXX ± ANGLES ±		TITLE PILOT SONOLATOR, 1000-3.5 JOB #1823	
MATERIAL:	DWN R. CIZIK	10/01/01	DRAWING NUMBER 1823-A-01-A	REV A
FINISH:	ENR		SCALE 0.17	DO NOT SCALE DRAWING SHEET 1 of 1
HEAT TREAT:	APP		CAD NUMBER: \\Job Profiles\1823\1823-A-01-A.dwg	