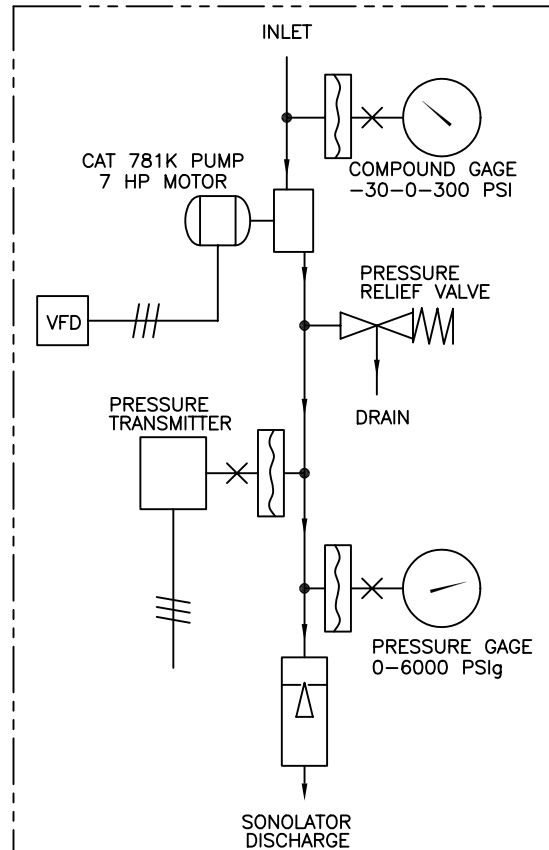
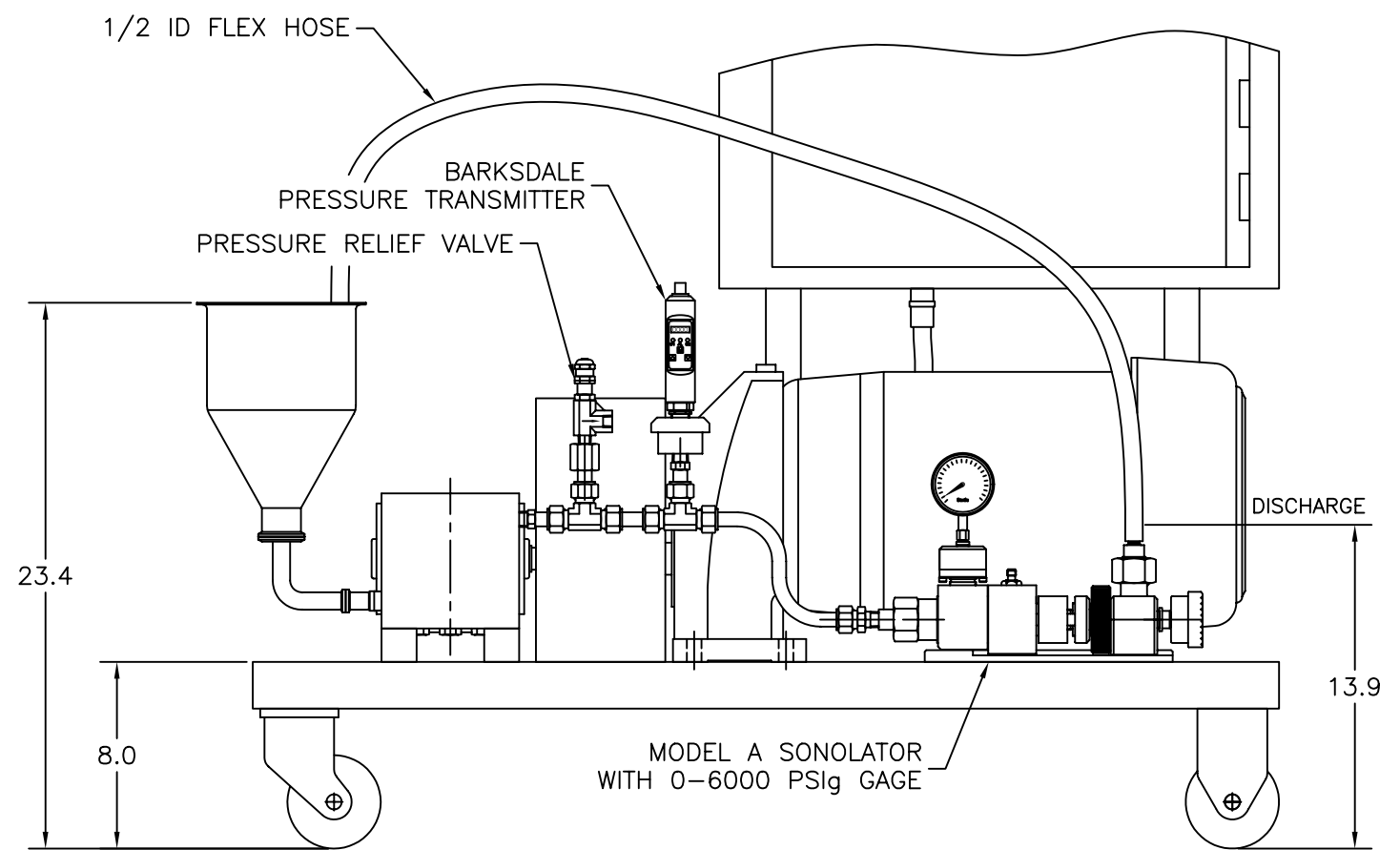
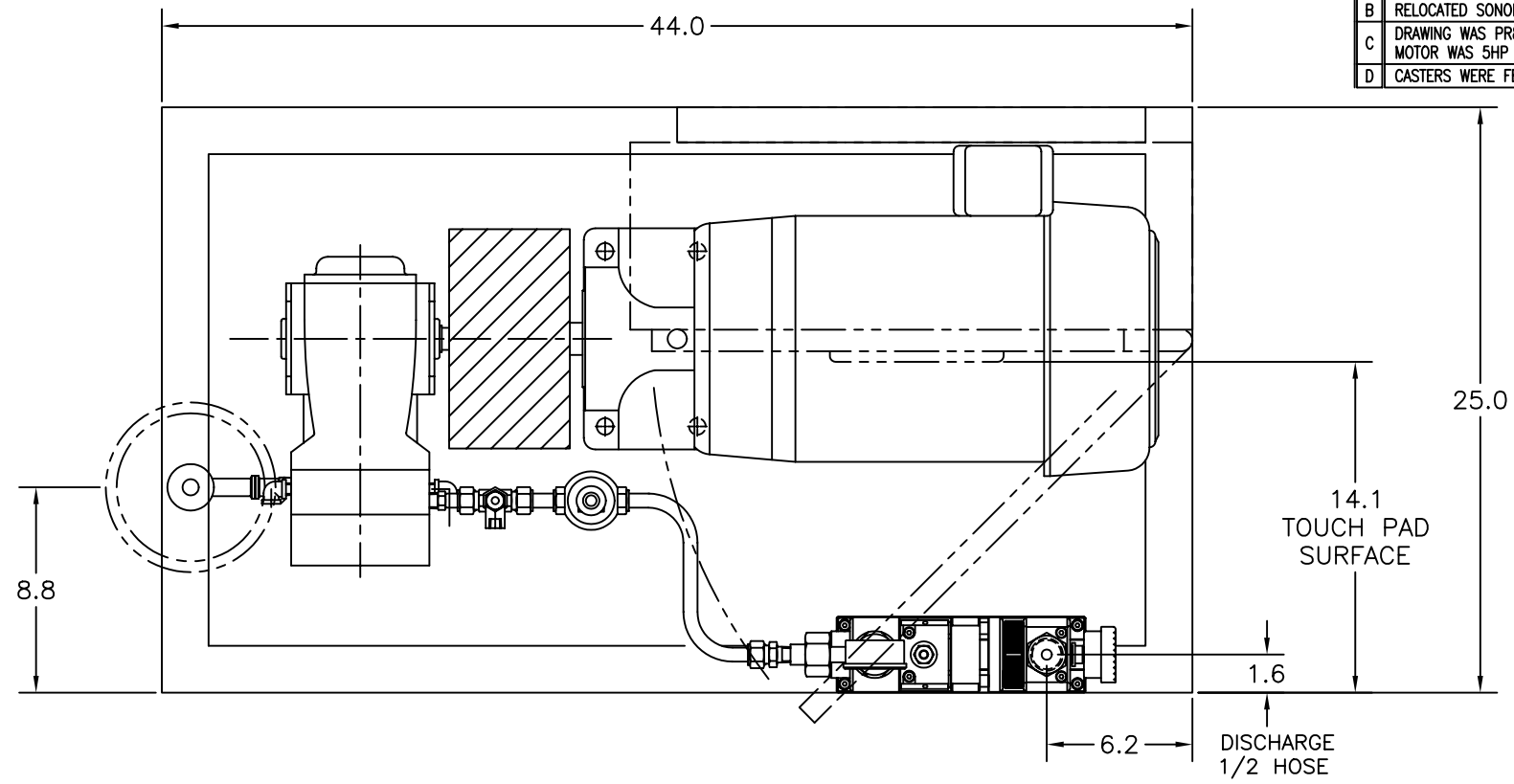
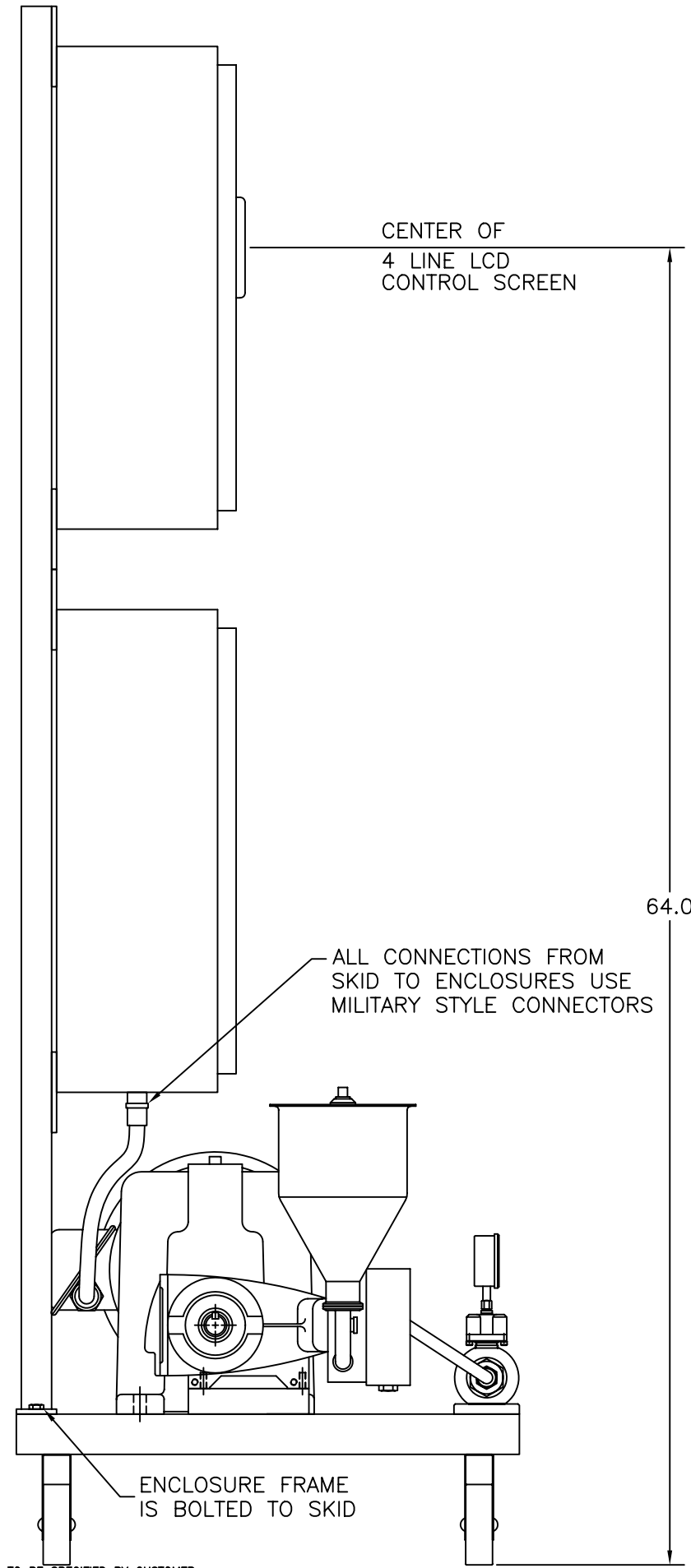


| REVISIONS |   |    |         |
|-----------|---|----|---------|
| REV       | DESCRIPTION   | BY | DATE    |
| A         | INITIAL REVISION  |    |         |
| B         | RELOCATED SONOLATOR   | RC | 2/13/03 |
| C         | DRAWING WAS PR8639, INPUT WAS 1/2 NPT WITH GAGE MOTOR WAS 5HP 184TC, UPRIGHTS WERE WELDED TO BASE | RC | 2/27/03 |
| D         | CASTERS WERE FEET   | RC | 4/17/03 |



- DISCHARGE IS TO BE SPECIFIED BY CUSTOMER.
  - ALL HIGH PRESSURE PIPING IS 3/8 VCO.
  - INLET FUNNEL HAS 3/4 GALLONS OF CAPACITY.
- NOTES:

PROPRIETARY INFORMATION: THIS MATERIAL AND THE CONTENTS THEREOF ARE CONSIDERED THE PROPERTY OF SONIC CORPORATION AND THE DISCLOSURE TO UNAUTHORIZED INDIVIDUALS OR DISSEMINATION, PUBLICATION, OR COPYING THEREOF IS PROHIBITED WITHOUT PRIOR WRITTEN CONSENT BY SONIC CORP., STRATFORD, CONNECTICUT.

|   |   |  |       |
|---|---|--|-------|
| ACCOMPANYING DOCUMENTS COMMENTS, VENDOR NOTES | UNLESS OTHERWISE SPECIFIED DIMENSIONS ARE IN INCHES | 1 Research Drive, Stratford, CT 06615<br>203-375-0063 FAX 203-378-4079 |       |
| TOLERANCES                                    | DECIMALS .XX ±                                      | TITLE TAYLOR CHEMICAL COMPANY  |       |
|   | .XXX ±  | PILOT SONOLATOR, 5000-1.4  |       |
|   | .XXXX ±   | JOB 1868   |       |
|   | ANGLES ±  | REV D  |       |
| MATERIAL:                                     | DIM R. CZIK 2/10/03                                 | DRAWING NUMBER 1868  | REV D |
| FINISH:                                       | DR  | SCALE 0.33 [DO NOT SCALE DRAWING] SHEET 1 of 1                         |       |
| HEAT TREAT:                                   | HT  | CAD NUMBER: Job Profiles\1868 Taylor Chem\1868-A-01-D.dwg              |       |