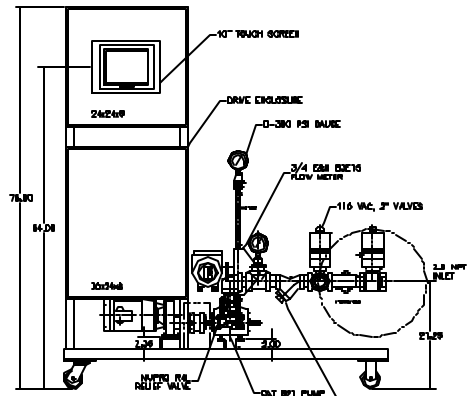
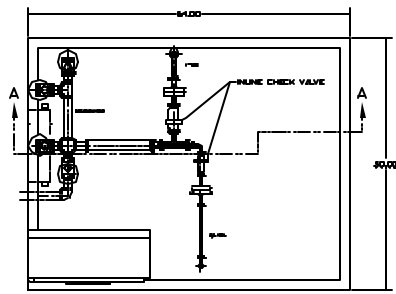
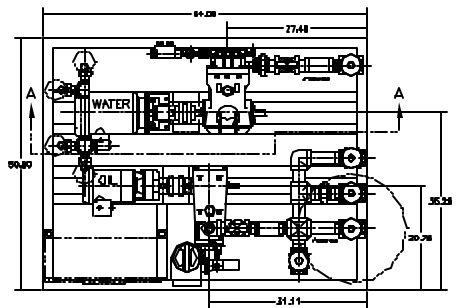
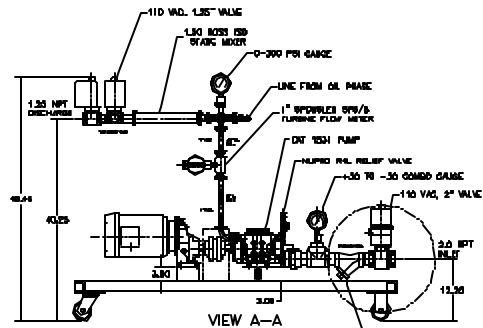


REVISION

NO.	DESCRIPTION	DATE
A	REVISED	7/8/76
B	REVISED PER P&ID 244 244 244	7/8/76
C	REVISED PER P&ID 244 244 244	7/8/76



FRONT VIEW WITH VIEW A-A REMOVED



VIEW A-A

NO.	DESCRIPTION	DATE
1	REVISED PER P&ID 244 244 244	7/8/76
2	REVISED PER P&ID 244 244 244	7/8/76

THIS DRAWING IS THE PROPERTY OF THE COMPANY AND IS NOT TO BE REPRODUCED OR COPIED IN ANY MANNER WITHOUT THE WRITTEN PERMISSION OF THE COMPANY.